

# DR-140

## 140 kg Roaster

### Up to 1078 lbs / hr



## EXPERIENCE THE DIEDRICH DIFFERENCE

### Facility Concept & Design:

Industry expertise providing solutions, guidance, and resources to grow your business.

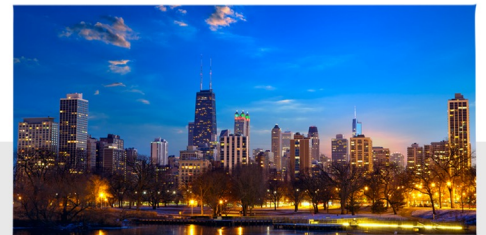
- Crafted with solid carbon steel drums to distribute heat evenly
- Production and inventory control techniques
- Quality Control System Development
- Process project development
- Equipment specifications & procurement
- Business plan development
- Facility evaluation
- Equipment installation, startup, & commissioning



PROCESS ENGINEERING SERVICES



US-DESIGN, SUPPORT, & SERVICE



ROASTER TRAINING & SUPPORT



USA Headquarters 1.844.343.3742  
[www.DiedrichRoasters.com](http://www.DiedrichRoasters.com)

Technical Support Hotline  
+1.844.343.3742  
M-F 7AM-3:30PM PT

Marketing & Education  
1.888.444.0630 Chicago, IL USA



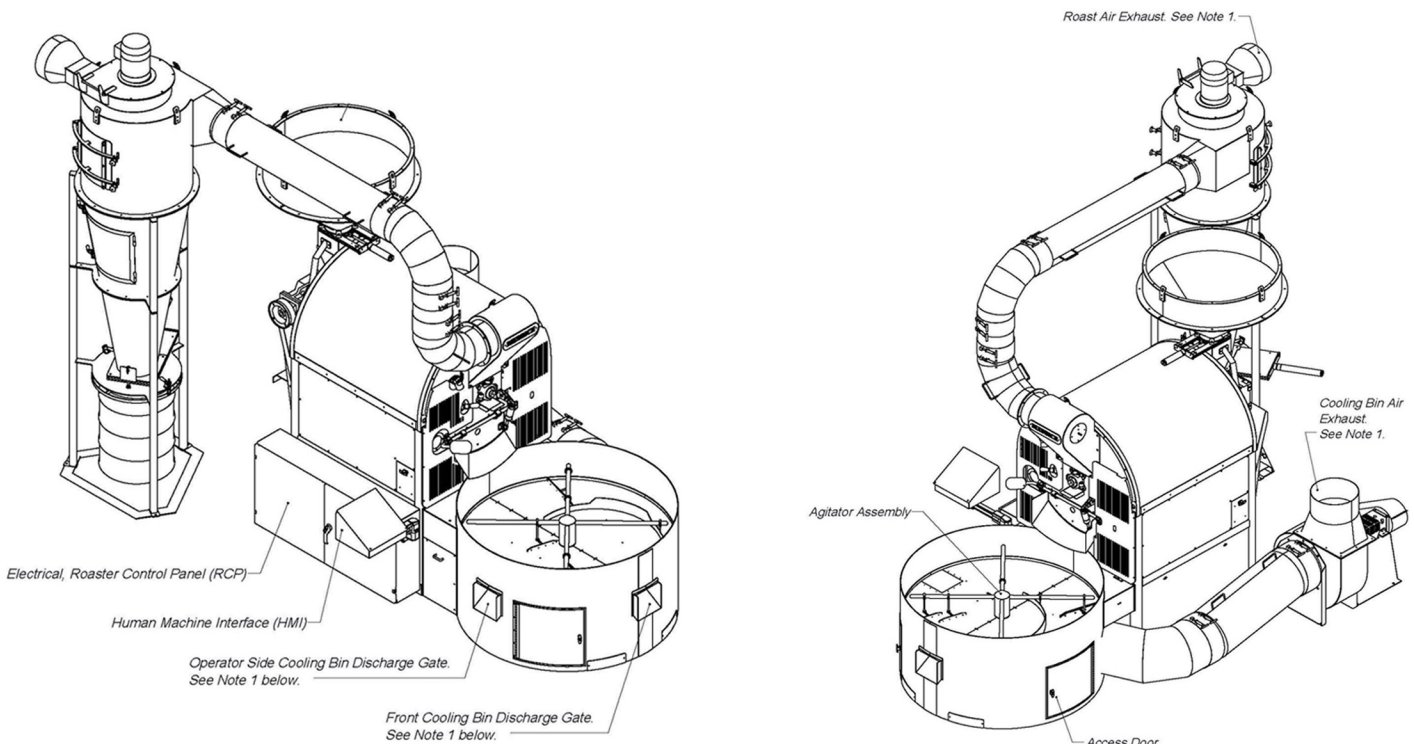


# DR-140

## 140 kg Roaster

Up to 1078 lbs / hr  
Batch size is approx.  
140 kg / 309 lbs  
of green coffee.

General Information		
	English Units	Metric Units
Green coffee capacity approx., min-max	154.5 – 309 lbs	70 - 140 kg
Dimensions, maximum L x W x H	17'5" x 10'7" x 13'5"	5309x 3226 x 4089 mm
Gas Information		
Gas Types (Ordered gas specific)	Natural Gas / Liquid Propane	
Inlet Pressure	1-2 psi	68.9-137.9 mbar
Inlet Gas Supply Connection	1 Inch Female NPT	
Electrical Information		
Volts AC	380-415V 3PH & 480V 3PH	



USA Headquarters 1.844.343.3742  
www.DiedrichRoasters.com

Technical Support Hotline  
+1.844.343.3742  
M-F 7AM-3:30PM PT

Marketing & Education  
1.888.444.0630 Chicago, IL USA

