



# DR3-E Electric 3 kg Roaster

## Hourly Capacity

Up to approx. 26.4 lbs (12 kg)

Based on 4 roasts per hour

## Standard Equipment Dimensions

56.625 x 22.25 x 41.5625 in; 1439 x 565 x 1056 mm

(Overall Dimensions May Vary with Optional Items \*Table Not Included)

## Technical Specifications

Electric Roaster

240Vac Single Phase

The DR-3E is designed to roast  
approx. 6.6 lbs (3 kg) of green coffee per batch.

# EXPERIENCE THE DIEDRICH DIFFERENCE

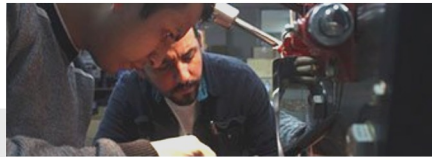
Helping Roast Masters Craft The Best Tasting Coffee Worldwide.

- Crafted with solid carbon steel drums to distribute heat evenly.
- Diedrich uses finely-tuned infrared burners.
- Clean and efficient. Designed to prevent exhaust back flow.
- Log and store roasting data profiles via third party software.
- Ability to view roast profile data and control the roaster from any wireless device that supports third party software.
- Comprehensive Roasting Training offered at our state of the art facility in Chicago.



### Handcrafted In The USA

Repeatable Roasts for small and large batches. We've gone out of our way to engineer, design, and develop high-quality roasters to help you craft the perfect roast with every batch.



### Exceptional Customer Support

We provide exceptional customer service and support focusing on installation, maintenance, & technical guidance.

### Technical Support Hotline

+1.844.343.3742

M-F 7AM-3:30PM PT



### Hands On Roaster Training

We are equipped to guide you through a comprehensive collection of topics ranging from foundation, to professional, to food safety. The courses are designed and created by the SCA as part of the Coffee Skills Program. All courses are conducted by certified AST instructors.



USA Headquarters 1.844.343.3742  
[www.DiedrichRoasters.com](http://www.DiedrichRoasters.com)

Marketing & Education  
1.888.444.0630 Chicago, IL USA





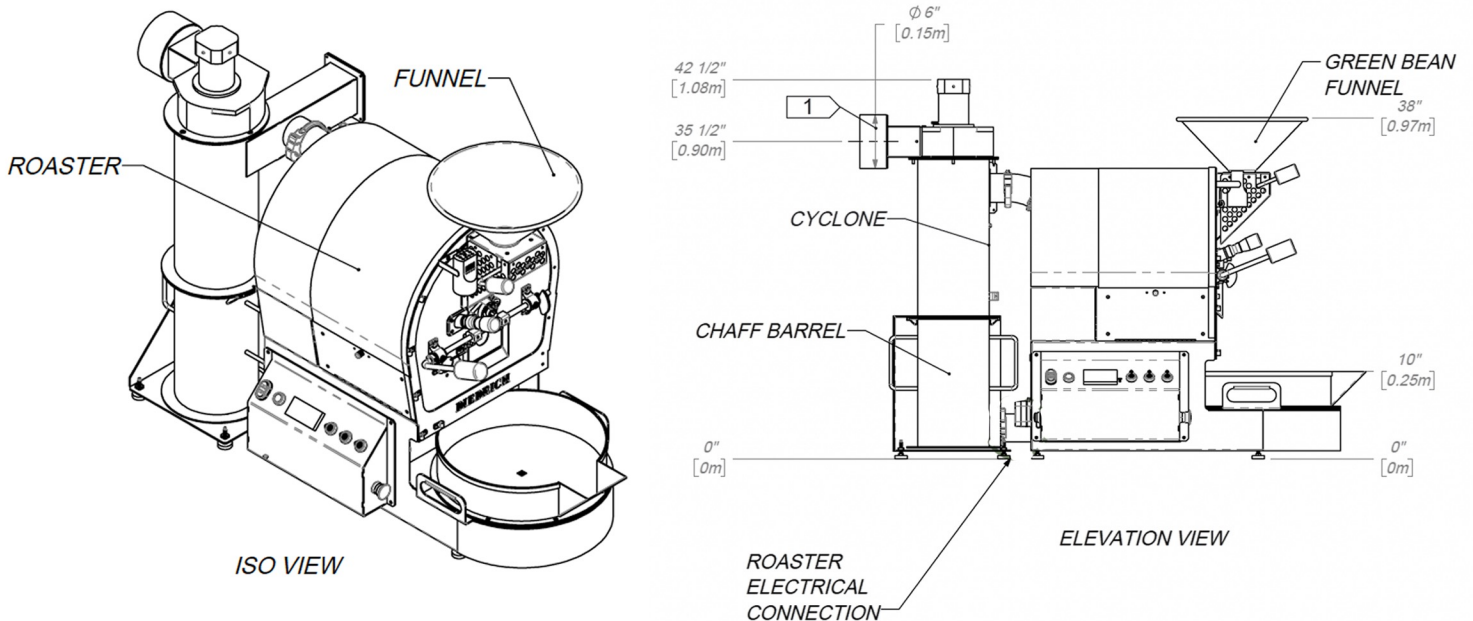
# DR3-E

## 3 kg Roaster

Up to 26.4 lbs / hr  
Batch size is approx.  
3 kg / 6.6 lbs  
of green coffee.

General Information		
	English Units	Metric Units
Green coffee capacity approx., min-max	2.2 - 6.6 lbs	1 - 3 Kg
Dimensions, maximum L x W x H	56.625 x 22.25 x 41.5625 in	1439mm x 565mm x 1056mm
Recommended space, minimum L x W x H	92.625 x 58.25 x 59.5625 in	2353mm x 1480mm x 1513mm
Electrical Information		
Volts AC	240Vac 1PH	

\*Table not included



USA Headquarters 1.844.343.3742  
www.DiedrichRoasters.com

Technical Support Hotline  
+1.844.343.3742  
M-F 7AM-3:30PM PT

Marketing & Education  
1.888.444.0630 Chicago, IL USA

