



# DR-5 Semi-Automated 5 kg Roaster

## Hourly Capacity

Up to approx. 40 lbs (18 kg)

Based on 4 roasts per hour

*All Roasters are Designed to Roast Half Batches*

## Standard Equipment Dimensions

81 x 35 x 86 in; 1429 x 2.0574 x 0.889 x 2.184m

*(Overall Dimensions May Vary with Optional Items)*

## Technical Specifications

Natural Gas or Liquid Propane

200 - 240V / 50 or 60 Hz Single Phase

The DR-5 is designed to roast  
approx. 11 lbs (5 kg) of green coffee per batch.

# EXPERIENCE THE DIEDRICH DIFFERENCE

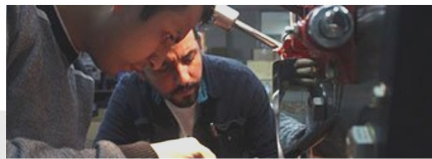
Helping Roast Masters Craft The Best Tasting Coffee Worldwide.

- Crafted with solid carbon steel drums to distribute heat evenly.
- Diedrich uses finely-tuned infrared burners.
- Clean and efficient. Designed to prevent exhaust back flow.
- Log and store roasting data profiles via third party software.
- Ability to view roast profile data and control the roaster from any wireless device that supports third party software.
- Comprehensive Roasting Training offered at our state of the art facility in Chicago.



### Handcrafted In The USA

Repeatable Roasts for small and large batches. We've gone out of our way to engineer, design, and develop high-quality roasters to help you craft the perfect roast with every batch.



### Exceptional Customer Support

We provide exceptional customer service and support focusing on installation, maintenance, & technical guidance.

#### Technical Support Hotline

+1.844.343.3742

M-F 7AM-3:30PM PT



### Hands On Roaster Training

We are equipped to guide you through a comprehensive collection of topics ranging from foundation, to professional, to food safety. The courses are designed and created by the SCA as part of the Coffee Skills Program. All courses are conducted by certified AST instructors.



USA Headquarters 1.844.343.3742  
www.DiedrichRoasters.com

Marketing & Education  
1.888.444.0630 Chicago, IL USA



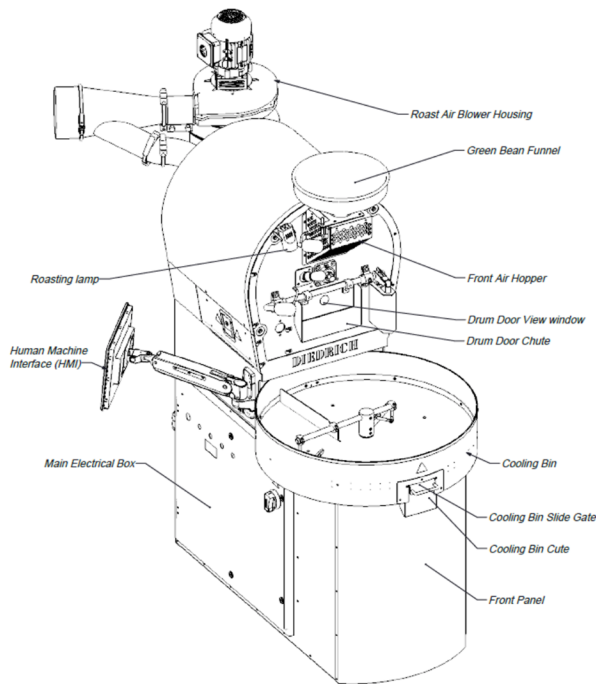


# DR-5

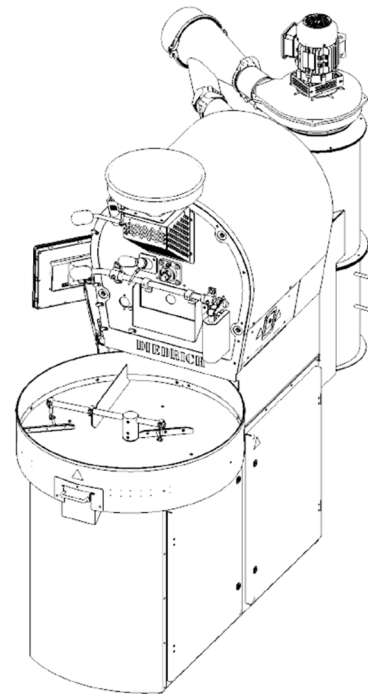
## 5 kg Roaster

Up to 40 lbs / hr  
Batch size is approx.  
5 kg / 11 lbs  
of green coffee.

| General Information                     |                              |                         |
|---|------------------------------|-------------------------|
| Green coffee capacity, min-max          | 5.5 - 11 lbs                 | 2.5 - 5 kg              |
| Dimensions, maximum L x W x H           | 81 x 35 x 86 in              | 2.0574 x 0.889 x 2.184m |
| Recommended space,<br>minimum L x W x H | 153 x 112 x 104 in           | 3.886 x 2.845 x 2.641 m |
| Gas Information                         |                              |                         |
| Gas Types (Ordered gas specific)        | Natural Gas / Liquid Propane |                         |
| Inlet Pressure LP                       | 12 – 14 inches WC            | 30-35 mbar              |
| Inlet Pressure NG                       | 8 – 14 inches WC             | 20-35 mbar              |
| Inlet Gas Supply Connection             | 1/2 Inch Female NPT          |                         |
| Electrical Information                  |                              |                         |
| Volts AC                                | 200-240VAC 1 phase           |                         |



Front Left - Isometric View  
SCALE 1:12



Front Right - Isometric View  
SCALE 1:12



USA Headquarters 1.844.343.3742  
www.DiedrichRoasters.com

Technical Support Hotline  
+1.844.343.3742  
M-F 7AM-3:30PM PT

Marketing & Education  
1.888.444.0630 Chicago, IL USA

